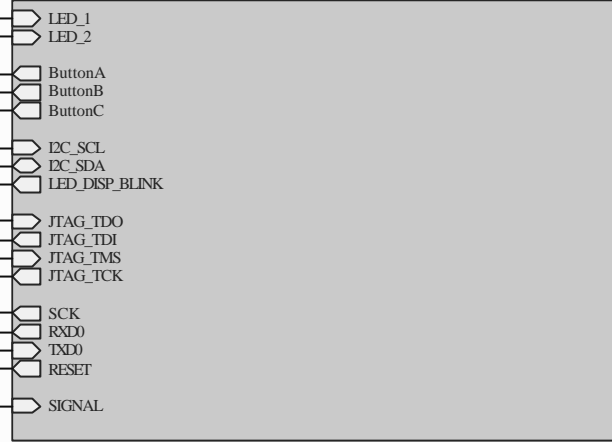


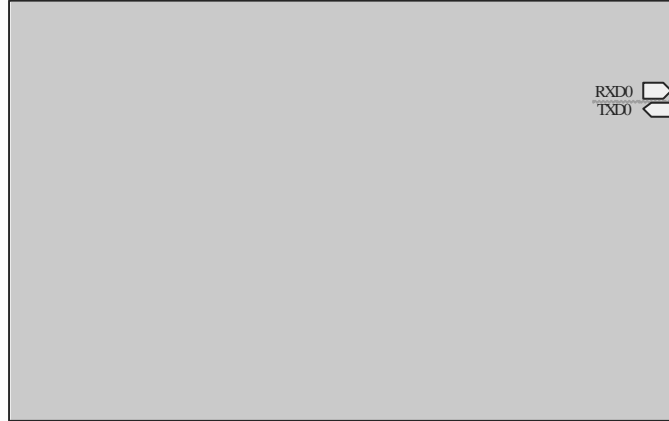
LW\_CPU  
LW\_CPU.SchDoc



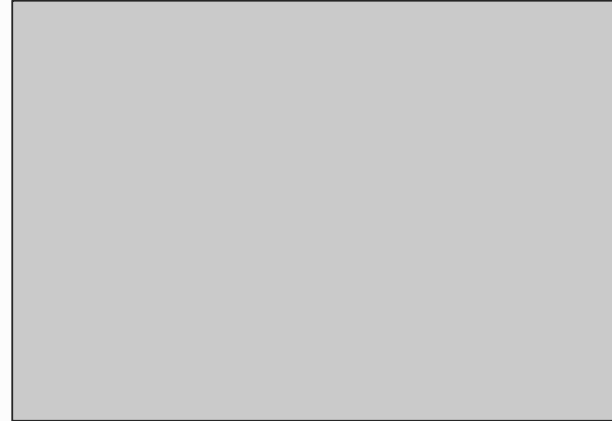
LW\_CONN  
LW\_CONN.SchDoc



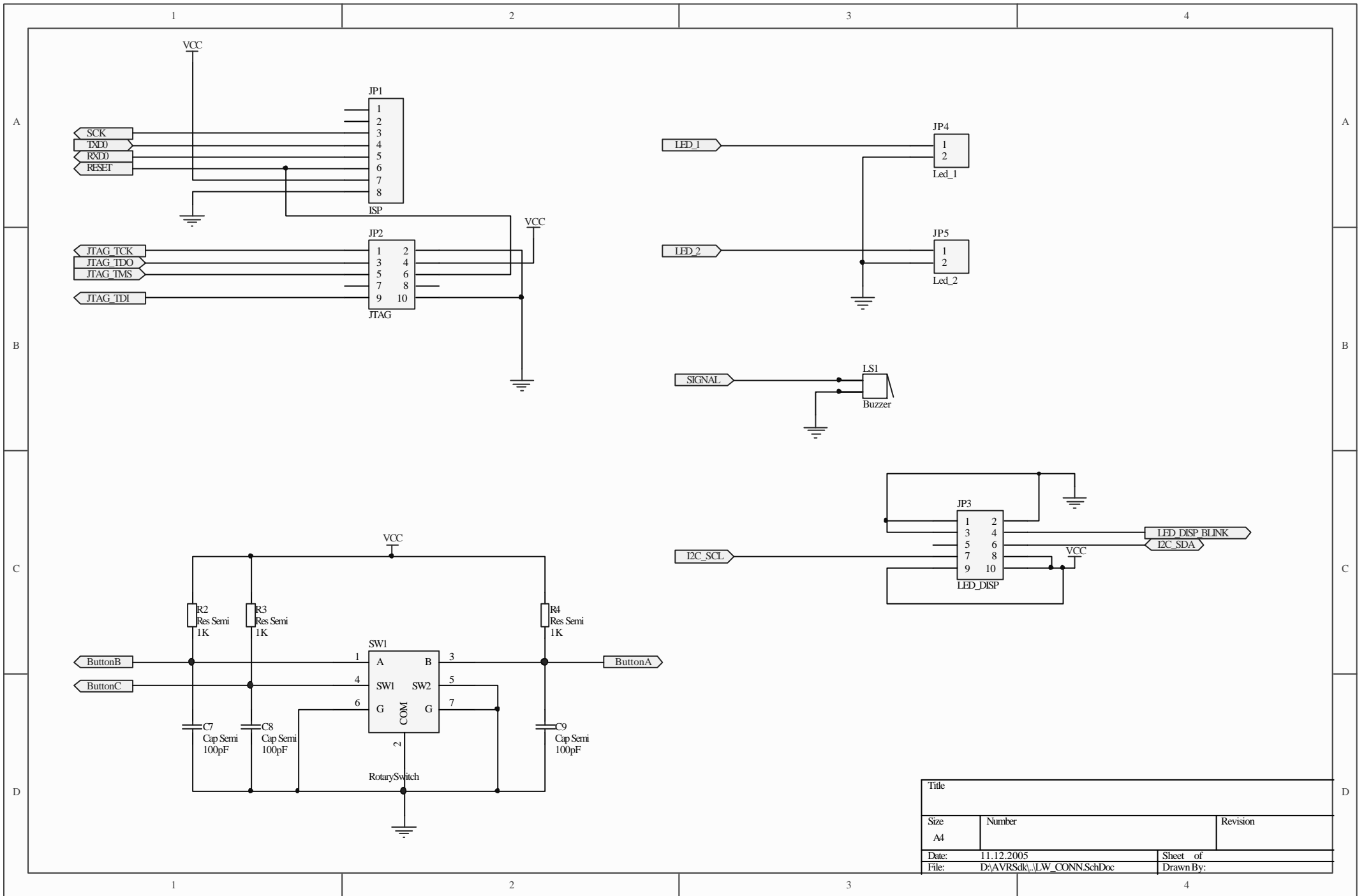
LW\_USB  
LW\_USB.SchDoc



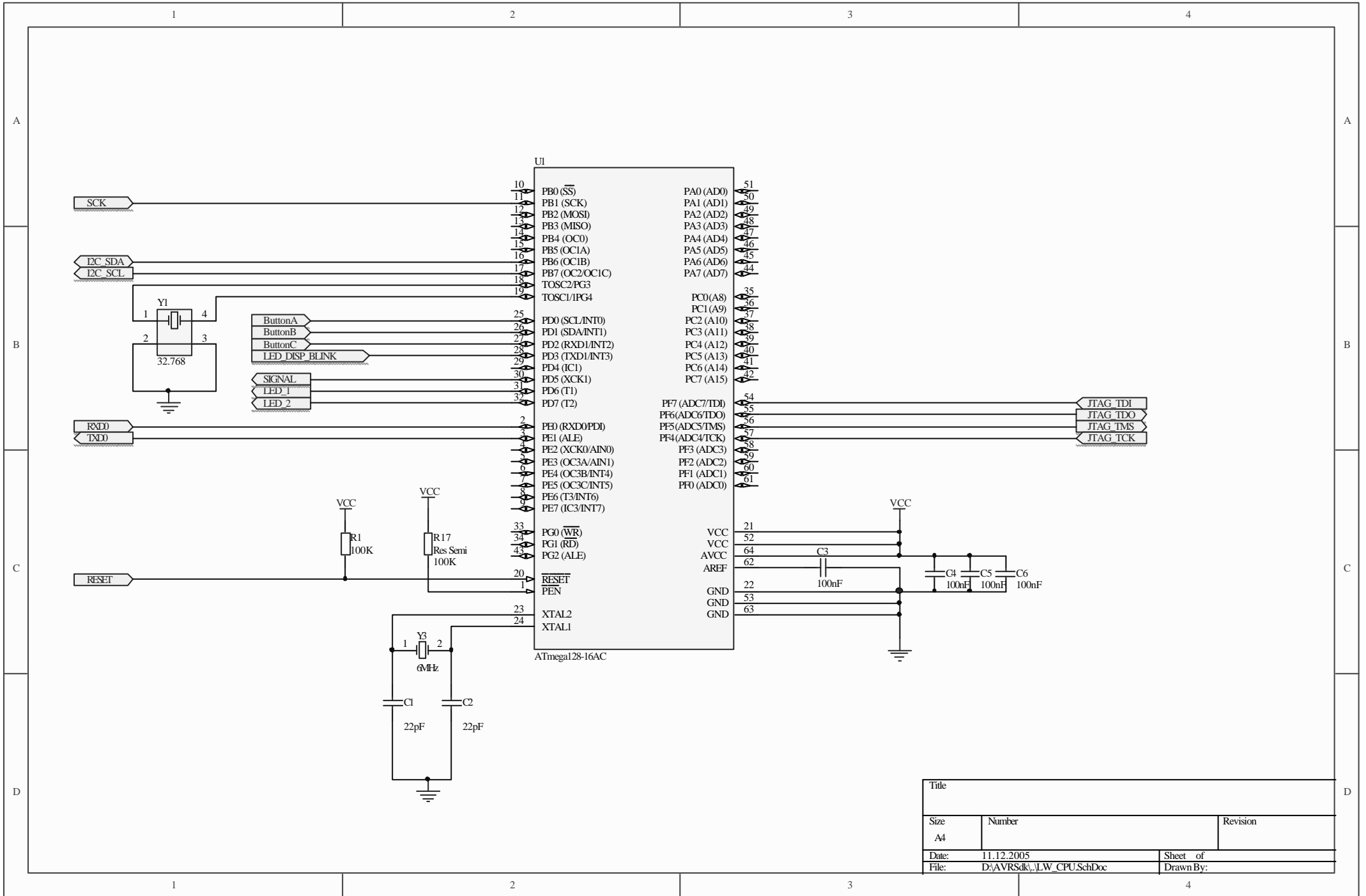
LW\_Power  
LW\_Power.SchDoc



Title		
Size A4	Number	Revision
Date: 11.12.2005	Sheet of	
File: D:\AVRSdk\..LedWatchMain.SchDoc	Drawn By:	



Title		
Size A4	Number	Revision
Date: 11.12.2005	Sheet of	
File: D:\AVRSdk\..LW_CONN.SchDoc	Drawn By:	



Title		
Size	Number	Revision
A4		
Date:	11.12.2005	Sheet of
File:	D:\AVRSdk\..LW_CPU.SchDoc	Drawn By:

1

2

3

4

A

A

B

B

C

C

D

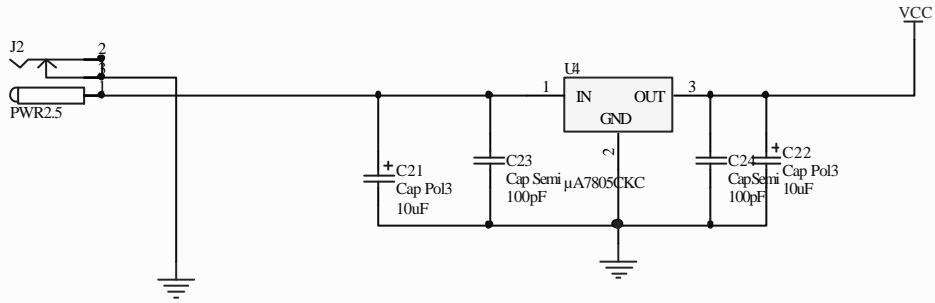
D

1

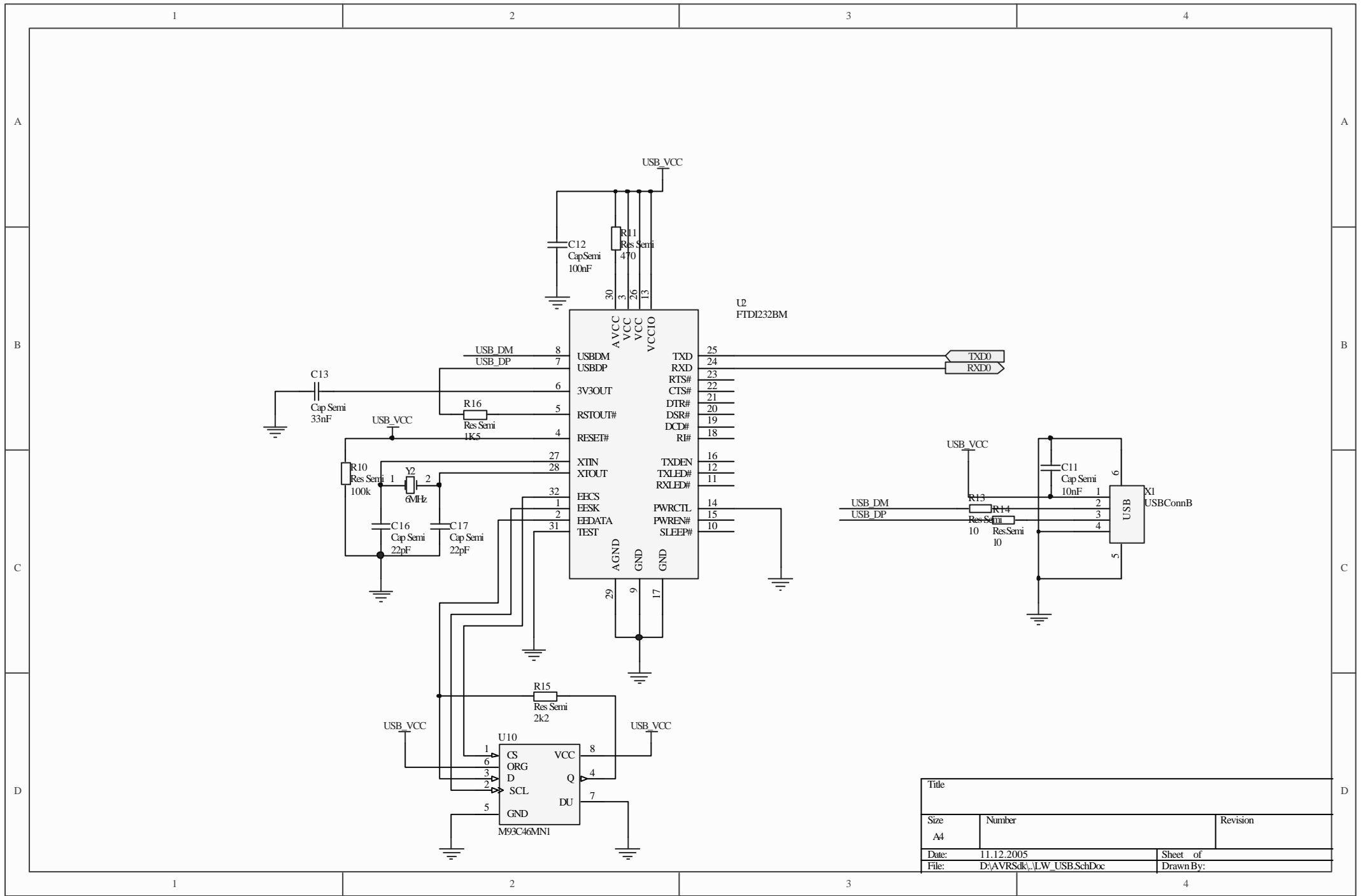
2

3

4



Title		
Size A4	Number	Revision
Date: 11.12.2005	Sheet of	
File: D:\AVRSdk\..LW_Power.SchDoc	Drawn By:	



Title		
Size	Number	Revision
A4		
Date:	11.12.2005	Sheet of
File:	D:\AVRSDk\..LW_USB.SchDoc	Drawn By: